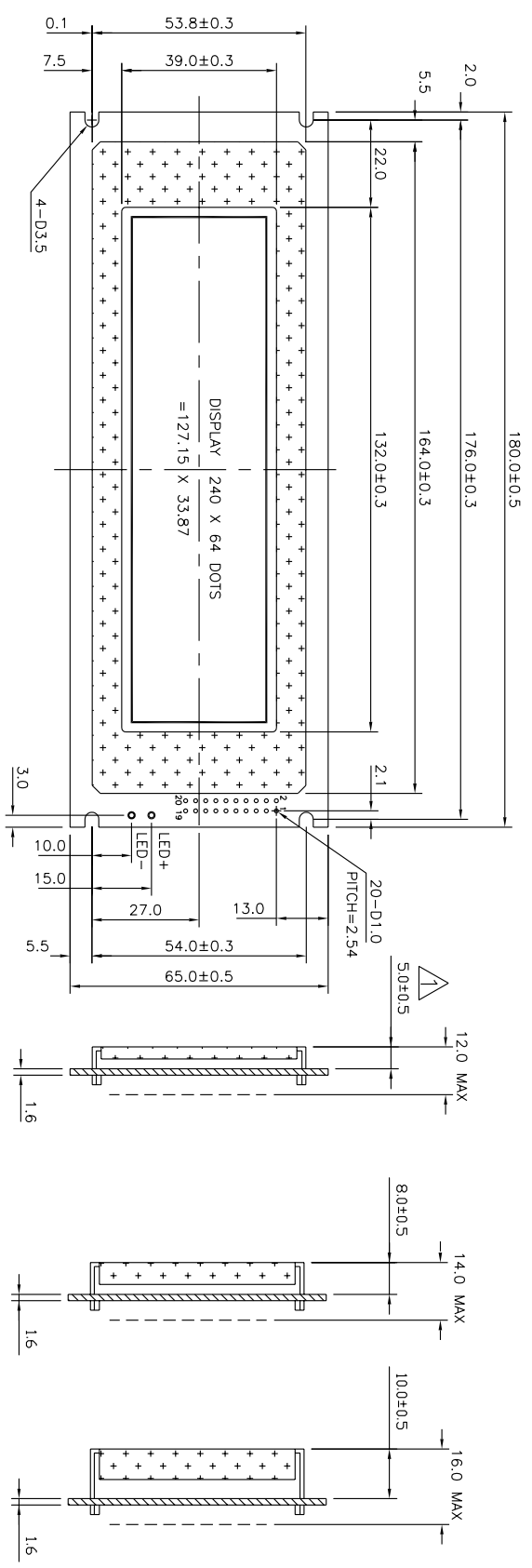
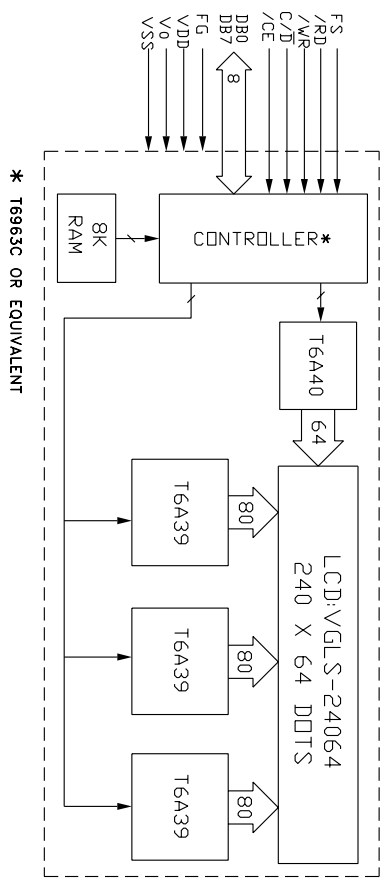


The drawing on this print and information therewith are proprietary to Varrtronix and shall not be used in whole or in part without written permission of Varrtronix.



1	2	3	4	5	6	7	8	9	10	11	12	13	14	15	16	17	18	19	20
FG	VSS	VDD	V0	/WR	/RD	/CE	C/D	NC	/RST	DB0	DB1	DB2	DB3	DB4	DB5	DB6	DB7	FS	NC



NOTES:
 ▲ SPECIAL CHARACTERISTIC
 ♦ SAFETY CHARACTERISTIC
 ○ REFERENCE ONLY
 ▼ CRITICAL DIMENSION

VARITRONIX LIMITED

TITLE: SPECIFICATION OF MODULE			
PROJECT NO: MGL(S)-24064Z			
TOLERANCE UNLESS OTHERWISE SPECIFIED:	X.X ±0.3		
DIMENSIONS IN MM	X.XX ±0.1		
MATERIAL:	FINISH:		
SCALE: DO NOT ON SCALE	THICKNESS:		
THIRD ANGLE PROJECTION			
DRAWN	NAME	SIZE	DATE
CHECKED	LUO XIAN GANG		04.05.11
APPROVED	HE JIAN WEN		
	EDWIN HON		
ITEM NO. MGLS24064Z-XX			
DESCRIPTION: MGLS24064Z			
FILE NO: MGLS24064Z-XX R1.DWG			
SHEET 1		OF 1	
		REV 1	

ISSUE	AMENDMENT	DATE
▲	MODIFY DIMENSION ADD NOTES	04.05.11