

# Open Frame LCD

## Open Frame LCD

10.4"

### Specifications



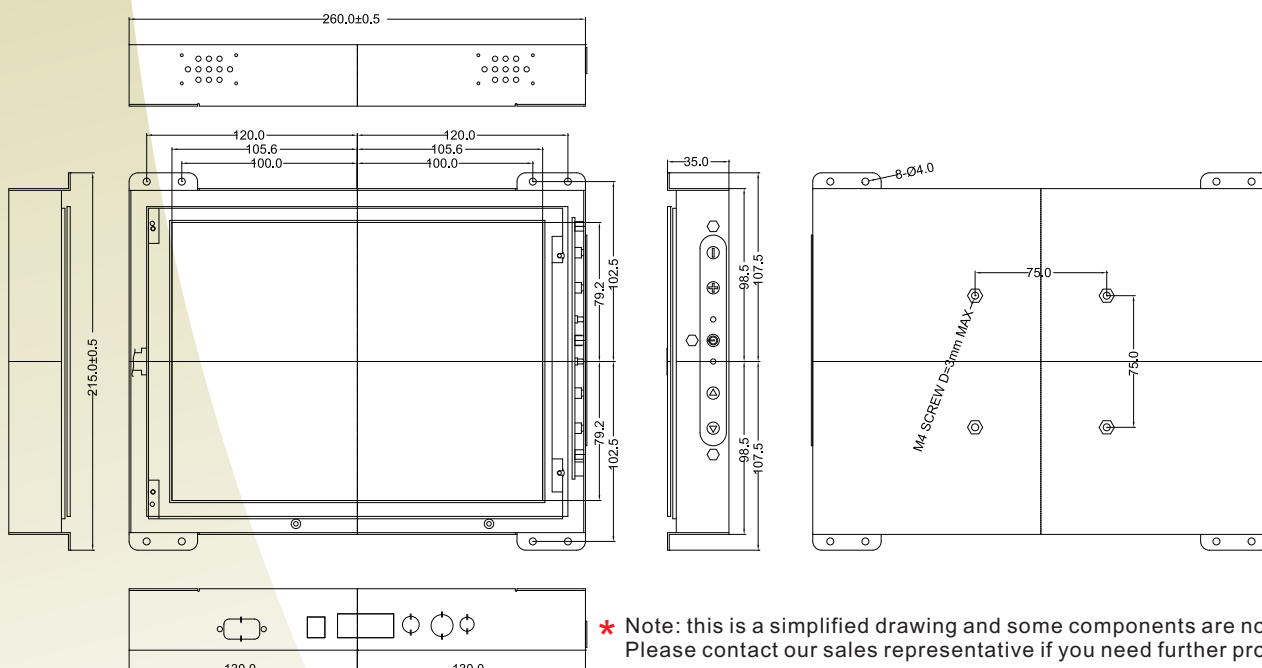
Model Name	R10L600-OFP1
Viewable Size Image	10.4"
Active Display Area(mm)	211.2(H)x158.4(V)
Pixel Pitch(mm)	0.264(H)x0.264(V)
Number of Pixels	800x600
Contrast Ratio	400:1(typ.)
Display Color	262,144(6bit/colors)
Brightness(cd/m <sup>2</sup> )	600(typ.)
Viewing Angle(CR>=10)	-70~70(H);-70~60(V)
Synchronization Range	
Horizontal/Vertical	31.5~46.9KHz/60~75Hz
Recommended Resolution	800x600@60Hz, 75Hz
Signal Connector	15 pin D-Sub
Power Source	12V DC in, with External AC-DC Adapter (100~240V)
Power Consumption	13W typical, normal operation
Power Management	VESA DPMS Compliant
Plug & Play	VESA DDC 1/2B
Optional Video Input	S-Video, Composite
Optional DVI Input	No
Optional Touch Screen	Resistive

Remarks:R10L600 series= VGA input only

R10L630 series= VGA+Video Input



### Mechanical Drawing



\* Note: this is a simplified drawing and some components are not marked in detail. Please contact our sales representative if you need further product information.