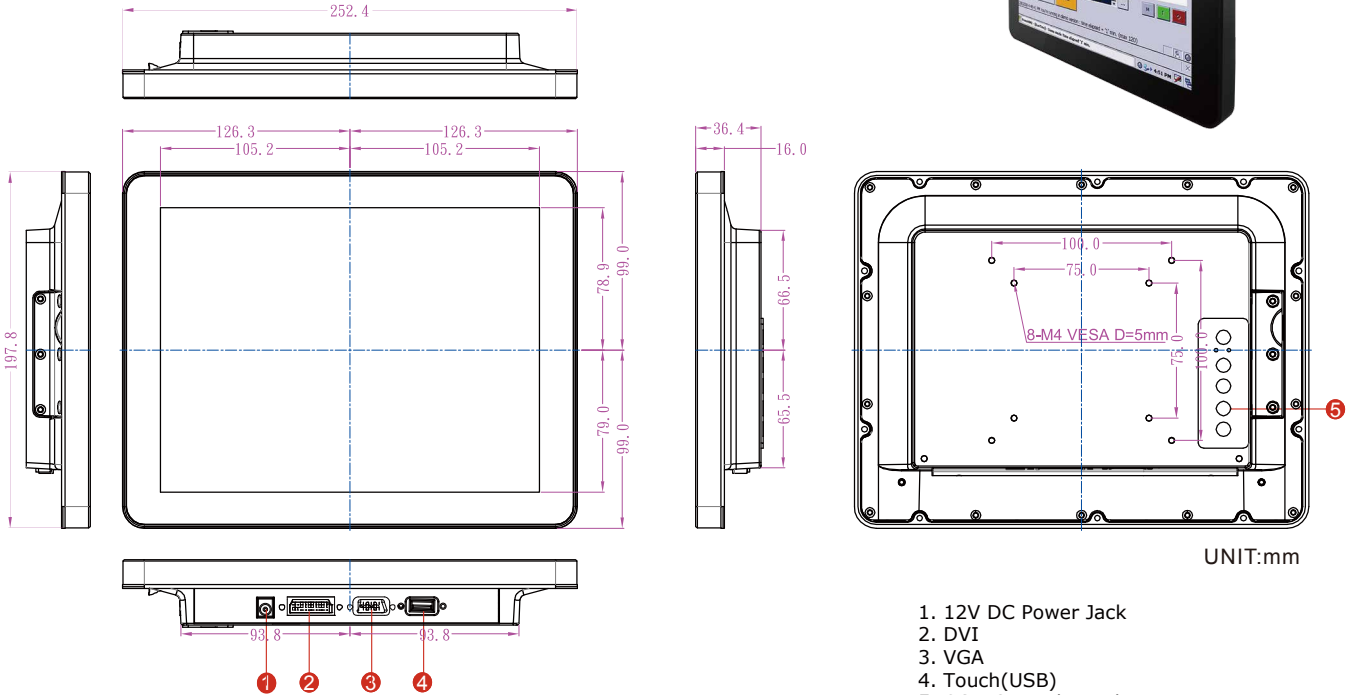


10.4" P-Cap Chassis Display - R10L100-PCT2

Features

- 10.4" 1024 x 768 Resolution
- Projected Capacitive Multi-Touch (P-Cap)
- Front IP65 Water and Dust Proof
- VGA input and variety of optional connectors
- USB port for touch
- Stylish and elegant design



* Note: this is a simplified drawing and some components are not marked in detail. Please contact our sales representative if you need further product information.

1. 12V DC Power Jack
2. DVI
3. VGA
4. Touch(USB)
5. OSD Control Panel

Specifications

Display Spec :

- Size/Type : 10.4"
- Resolutions : 1024x768
- Brightness(cd/m²) : 350 cd/m² (typ.)
- Contrast Ratio : 1200 : 1 (typ.)
- Viewing Angle : -88~88(H);-88~88(V)
- Active Display Area(mm) : 210.4(H) x 157.8 (V)
- Pixel Pitch(mm) : 0.2055 (H) x 0.2055 (V)
- Touch : Projected Capacitive Touch

Power Specification :

- Power Source : 12V DC
with External AC to DC Adapter (100~240V AC)
- Power Consumption : 15 W typical, normal operation

Environment Considerations :

- Operating Temperature : -10 °C to 55 °C
- Operating Humidity : 10% to 95% (non-condensing)
- IP Rating : Front IP65

Input Specifications :

- Input Ports : 1 x 12V DC
1 x VGA
1 x DVI
1 x Touch(USB)
- USB Port (Touch) : 1 x USB 2.0

Mechanical Specification :

- Mounting : VESA Mount (100x100mm)
- Dimensions (W x H x D) : 296.2 x 226.7 x 45.5 (mm)

Product Optional :

- Accessory : Vesa Mounting Arm / Table Stand Mount